

CHAPTER 1 INTRODUCTION

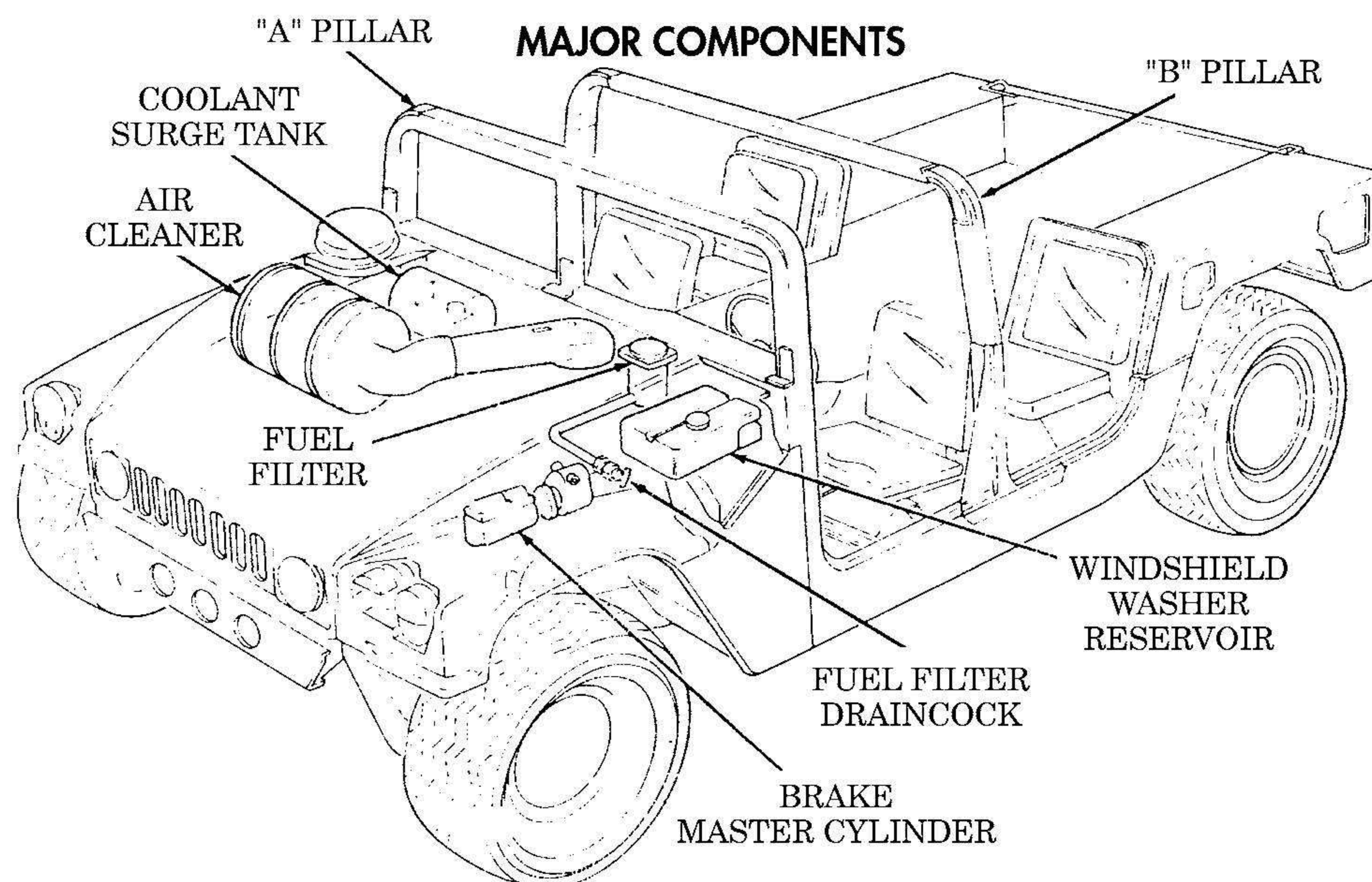
Section I. GENERAL INFORMATION

1-1. SCOPE

a. This manual contains instructions for operating and servicing M998 series vehicles.

These vehicles are:

- (1) M998 and M998A1 Cargo/Troop Carriers
- (2) M1038 and M1038A1 Cargo/Troop Carriers, W/W
- (3) M1097, M1097A1, M1097A2, and M1123 Heavy Variants
- (4) M966, M966A1, and M1121 TOW Carriers, Armored
- (5) M1036 TOW Carrier, Armored, W/W
- (6) M1045, M1045A1, and M1045A2 TOW Carriers, W/Supplemental Armor
- (7) M1046 and M1046A1 TOW Carriers, W/Supplemental Armor, W/W
- (8) M1025, M1025A1, and M1025A2 Armament Carriers, Armored
- (9) M1026 and M1026A1 Armament Carriers, Armored, W/W
- (10) M1043, M1043A1, and M1043A2 Armament Carriers, W/Supplemental Armor
- (11) M1044 and M1044A1 Armament Carriers, W/Supplemental Armor, W/W
- (12) M1037 S250 Shelter Carrier
- (13) M1042 S250 Shelter Carrier, W/W
- (14) M996 and M996A1 2-Litter Ambulances, Armored
- (15) M997, M997A1, and M997A2 4-Litter Ambulances, Armored
- (16) M1035, M1035A1, and M1035A2 2-Litter Ambulances, Soft Top



b. The material presented here provides operators with information and procedures needed to provide the safest and most efficient operation of these vehicles. This information includes:

- (1) Operator forms and records.
- (2) Descriptions of each vehicle and its operation.
- (3) The purpose of each vehicle.
- (4) Vehicle limitations.
- (5) The function of all controls and indicators.
- (6) Operating instructions for each vehicle.
- (7) Cautions and warnings to operators regarding safety to personnel and equipment.
- (8) How and when to use special purpose kits.
- (9) Operator maintenance checks and service procedures.
- (10) Troubleshooting procedures to be followed by operators if the vehicle malfunctions.

1-2. MAINTENANCE FORMS AND RECORDS

(Army) Department of the Army forms and procedures used for equipment maintenance will be those prescribed by DA Pam 738-750, The Army Maintenance Management System (TAMMS). (Marine Corps) Refer to TM 4700-15/1 series.

1-3. HAND RECEIPT MANUAL

This operator's manual has a companion document with a TM number followed by "-HR" (which stands for Hand Receipt). The TM 9-2320-280-10-HR consists of preprinted hand receipts (DA Form 2062) that list end item related equipment (i.e., COEI, BII, and AAL) you must account for. As an aid to property accountability, additional -HR manuals may be requisitioned from the following source in accordance with procedures in chapter 12, AR 25-30:

Commander
U.S. Army Publications Distribution Center
2800 Eastern Blvd.
Baltimore, MD 21220-2896

1-4. REPORTING EQUIPMENT IMPROVEMENT RECOMMENDATIONS (EIR)

If your vehicle needs improvement, let us know. Send us an EIR. You, the user, are the only one who can tell us what you don't like about your equipment. Let us know why you don't like the design or performance. The preferred method for submitting QDRs is through the Army Electronic Product Support (AEPS) website under the Electronic Deficiency Reporting System (EDRS). The web address is: <https://aeps.ria.army.mil>. This is a secured site requiring a password that can be applied for on the front page of the website. If the above method is not available to you, put it on an SF 368, Product Quality Deficiency Report (PQDR), and mail it to us at: Department of the Army, U.S. Army Tank-automotive and Armaments Command, ATTN: AMSTA-TR-E/PQDR MS 267, 6501 E. 11 Mile Road, Warren, MI 48397-5000. We'll send you a reply.